

GENERAL FEATURES

- Longer cycle life: special paste formula, over dimensioned negative plate, optimized manufacturing process, additives for deep discharge.
- Special separators boost up the battery internal performance.
- Using oxygen recombination technology, maintenance-free and little water losing.
- ABS material: enhanced strength of the battery container. (Flame-retardant ABS is optional).
- Designed to have a lifespan of 15 years for float charging at 25°C



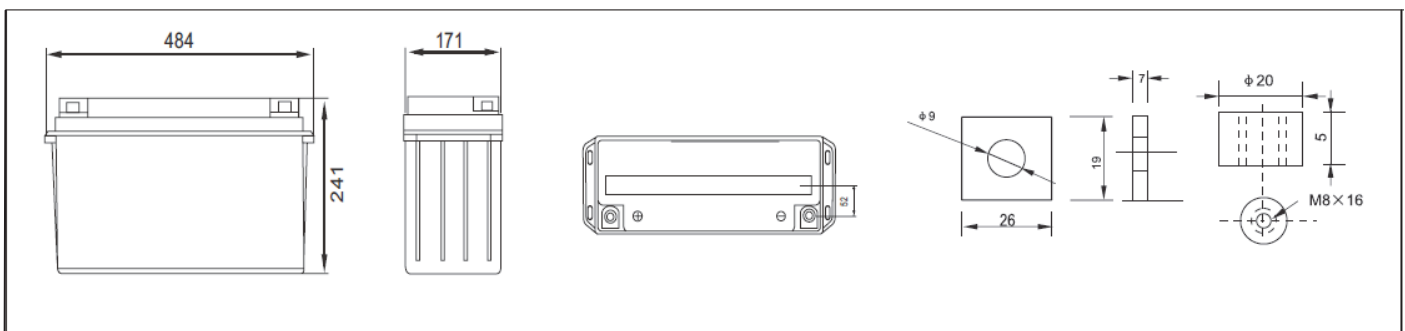
APPLICATIONS

- | | | |
|---|-------------------------------|-------------------|
| ● Electric tools | ● Electric toys | |
| ● Vehicle in place of walking | ● Railway and marine systems | |
| ● Lawn mowers | ● Fire alarms | IEC60095 |
| ● Golf trolleys and golf cart | ● Solar and wind power system | GB/T19638-2005 |
| ● Power system of special network or local area network | ● Electric wheelchairs | ISO9001/ISO14001/ |
| | ● Medical equipment | OHSAS18001/CE |

SPECIFICATIONS

Model	Nominal Voltage	12V		
	Rated Capacity (10Hr rate)	150Ah		
Dimensions	Length	Width	Height	Total Height
	484mm (19.06")	171mm (6.73")	241mm (9.49")	241mm (9.49")
Weight	Approx. 44.20kg± 3%			
Capacity @25°C (77°F)	100 Hour (1.88A,10.8V)	10 Hour (15A,10.8V)	5 Hour (25.5A,10.5V)	1 Hour (82.5A,9.6V)
	188 Ah	150Ah	127.5Ah	82.5Ah
Internal Resistance	Fully charged at 25°C, approx. 7.5mΩ			
Max. Discharge current	1500A (5 Sec.)			
Capacity Affected by Temp. (20Hr)	40°C (104°F)	25°C (77°F)	0°C (32°F)	-15°C (5°F)
	102%	100%	85%	65%
Self Discharge Rate @25°C (77°F)	After 3 months Storage	After 6 months Storage	After 12 months Storage	
	91%	82%	64%	
Charge Method	Cycle Use		Float Charging	
	14.1-14.4V (Initial current less than 55A) @25°C (77°F)		13.5-13.8V@25°C (77°F)	

DIMENSIONS & TERMINALS

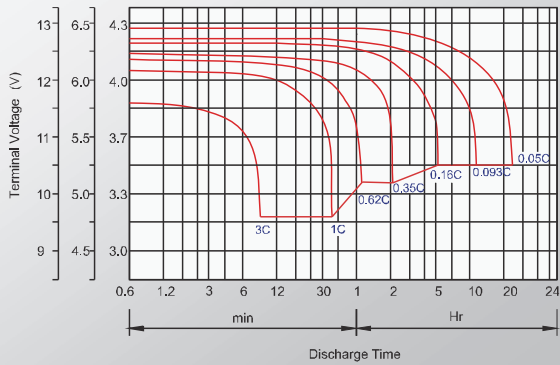


PERFORMANCE CHARACTERISTICS

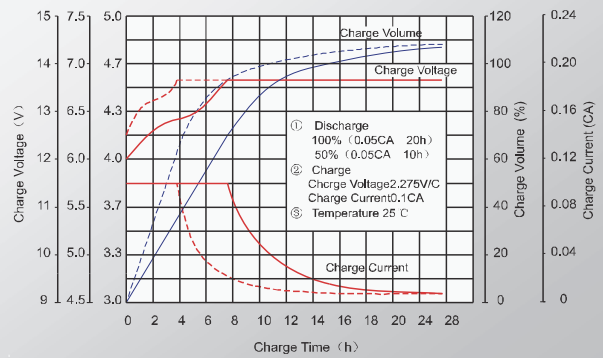
Constant Current(Amp) and Constant Power(Watt) Discharge Table at 25°C(72°F)

		10min	30min	1h	2h	3h	4h	5h	8h	10h	20h	50h	100h
9.60V	A	300.0	165.0	90.0	52.5	39.0	31.5	26.7	17.4	16.5	8.6	3.57	1.97
	W	3180	1757	963	567	425	347	293.7	192.9	183.2	95.8	40.0	22.0
10.20V	A	285.0	163.5	84.6	50.1	38.3	30.8	26.1	17.1	15.5	8.4	3.45	1.92
	W	3135	1807	939	561	432	349	296	194	176	95	39.2	21.8
10.50V	A	255.0	153.0	82.5	48.9	37.5	30.0	25.5	16.9	15.3	8.3	3.41	1.89
	W	2856	1721	932	557	429	345	293	194	176	95	39.2	21.7
10.80V	A	240.0	141.0	79.5	47.7	36.8	29.3	22.8	16.4	15.0	8.2	3.4	1.9
	W	2724	1607	910	551	426	341	266	191	175	95	39.1	21.8
11.10V	A	225.0	126.0	75.0	46.5	35.3	28.5	21.8	16.0	14.6	8.1	3.30	1.85
	W	2588	1455	870	544	414	336	257	189	173	96	38.9	21.8

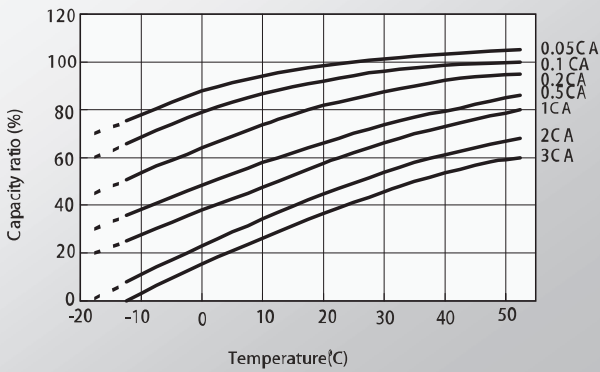
DISCHARGE CHARACTERISTICS



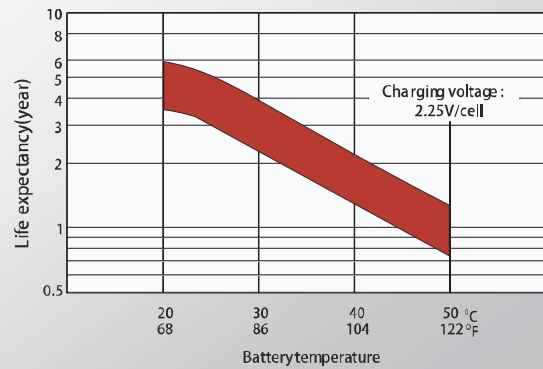
CHARGING CHARACTERISTICS (STANDBY)



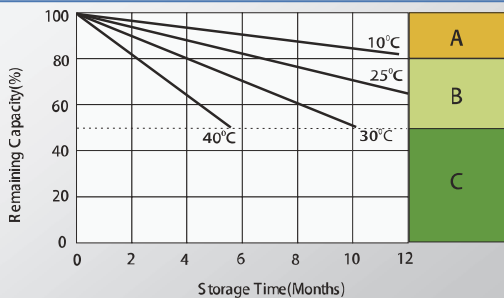
TEMP. EFFECTS IN RELATION TO BATTERY CAPACITY



EFFECT OF TEMP. ON LONG TERM FLOAT DESIGNED LIFE



SELF DISCHARGE CHARACTERISTICS



A. No supplementary charge required. (Carry out supplementary charge before use if 100% capacity is required.)
 B. Supplementary charge required before use. Optional charging way as below:
 1. Charged for above 3 days at limited current 0.25CA and constant voltage 2.25V/cell.
 2. Charged for above 20hours at limited current 0.25CA and constant voltage 2.45V/cell.
 3. Charged for 8-10hours at limited current 0.05CA.
 C. Supplementary charge may often fail to recover the capacity. The battery should never be left standing till this is reached.

CYCLE LIFE IN RELATION TO THE DEPTH OF DISCHARGE

